



KONICA MINOLTA

CONNECT WITH EASE!

A3 Colour bizhub C368 series



bizhub C368/C308/C258 

Giving Shape to Ideas



The new bizhub C368 series is a stellar performer that is catered to business of diverse needs. It is tailored to meet the growing needs of mobility, connectivity and sustainability.

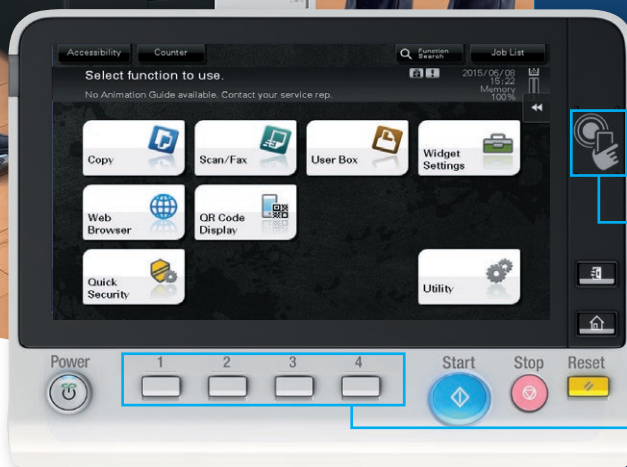
Getting connected with the new bizhub C368 series is easy! The new series comes with 9" operation panel with on-screen soft menu keys that allows users to register their commonly used functions and the new embedded mobile touch area enables pairing of smart devices with Near Field Communication (NFC) or Bluetooth LE (Low Energy)*1 technology. The PageScope Mobile Application enables mobile features*2 such as pairing, print, scan and user authentication.

*1 Optional Device Connection Interface Kit EK-609 is required.

*2 Android devices must be installed with Android 4.4 or later and NFC Antenna that supports HCE (Host Card Emulation). For iOS devices, iPhones4s or later, 3rd generation or later iPad and iPad mini are compatible with Bluetooth LE.

The new bizhub C368 series comes with embedded widget application where users can install and execute within the MFP operation panel. Text boxes, icons or GIF animations can be configured and used for internal communication such as messages and rules.

The screen display function can be enlarged and screen display colour can be reversed for ease of use.



Mobile Touch Area

Hard registration keys

CONNECT INSTANTLY WITHOUT PRINT DRIVERS TO THE INDUSTRY STANDARD MOBILE TECHNOLOGIES



AirPrint

Apple's standard printing system compatible with iOS 4.2 and Mac OS 10.7 or later. A compatible printer on your wireless LAN can be used.



Google Cloud print

A cloud print service provided by Google. You can print from any location via the internet regardless of OS or device type.



Mopria Print Service

Wireless printing technology established by Mopria Alliance. It allows you to print from devices installed with Android 4.4 or later.



Konica Minolta Print Services

Print directly to bizhub via a wireless LAN from all apps that supports Android's print function.



PageScope Mobile

Konica Minolta's proprietary mobile print application allows usage of wide range of bizhub functions such as duplex print, security print, staple and punch.



BROWSING AND PRINTING FROM WEB

With built-in web browser, users can now connect and browse the internet directly from the control panel and download content for print and distribution.

KONICA MINOLTA'S PROPRIETARY EMPERON CONTROLLER



The Emperon print controller offers quality performance and with its powerful processor, it can process large data quickly while delivering quality print output. Its advanced image processing reproduces richer gradations by variable dot sizes.

Various PDLs (Page Description Language) – including PCL for general business applications such as Microsoft Office, PostScript for graphic design and DTP, and XPS which supports Windows Vista or later office systems – are supported. Mac OS is also supported by the commonly used PostScript PDL.

BOOST PRODUCTIVITY

> Multiple paper feed options

The standard paper capacity of the MFP is 1,150 sheets. With the optional paper feed options, the paper capacity can be increased to 3,650 sheet. The optional Large Capacity Unit will bring the maximum of 6,650*1 sheets to reduce overall MFP downtime caused by paper replenishment.

*1 When optional Paper Feed Cabinet PC-410 and Large Capacity Unit LU-302 are mounted.



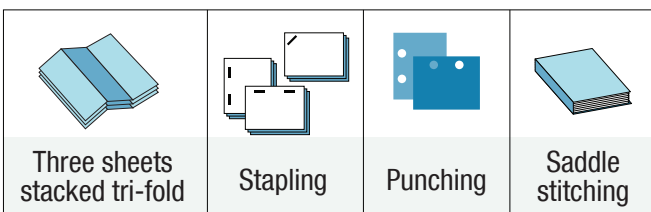
> Fiery controller

Optional Fiery Image Controller*2 for graphics applications can produce professional and high-level quality print output. The Fiery's various settings can be configured by using the MFP web browser.

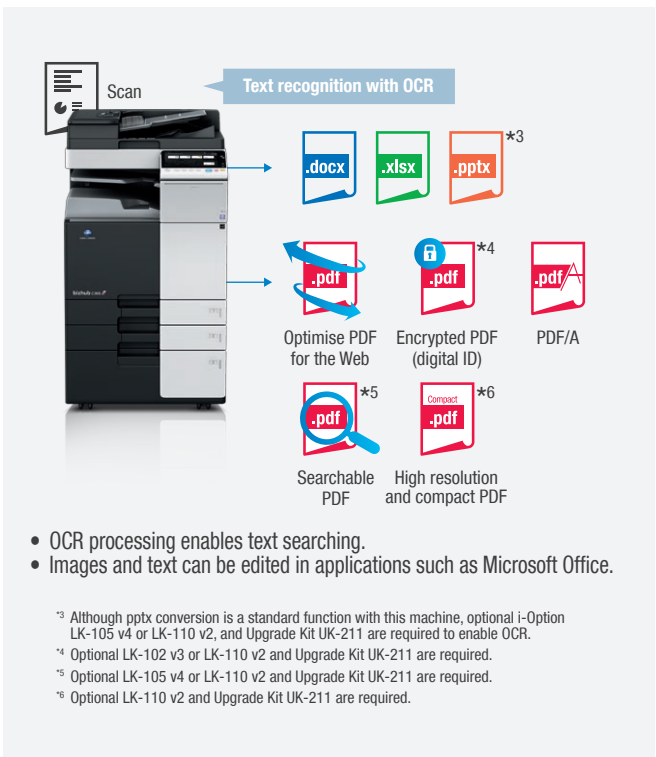
*2 Optional Fiery Image Controller IC-416, Video Interface Kit VI-508 and Upgrade Kit UK-211 are required.

> Multifunction finisher

The optional finisher allows user to perform many high-level finishing such as three sheets stacked tri-fold, stapling, punching, and saddle stitching. User can produce documents and presentation materials in-house easily and professionally.



> Document Digitisation



SECURE TECHNOLOGY

With password-protection, IC card and biometric security capabilities, bizhub C368 series excels in protecting information assets. From defending soft data from leaks to ensuring printouts and faxes are not taken by mistake, users' information resources are secure.

> Authentication on the MFP main unit

Authentication can also be performed directly on the main unit. Detailed access control can be set up for each function including copy, print, scan and fax*¹.

*¹ Optional Fax Kit FK-514 is required.



> IC Card Authentication

Users can authenticate with various types of IC card*². The authentication method complies with SSFC (Shared Security Formats Cooperation). Besides the IC Card, users can authenticate with Android devices*³ with equipped antenna.

*² Optional Authentication Unit AU-201S is required. Compliant non-contact IC cards include FeliCa (IDM), SSFC, FCF, FCF (campus), and MIFARE (UID).

*³ Requires Android 4.4, or later that supports HCE (Host Card Emulation) or PageScope Mobile for Android v5.0 or later.



> Biometric authentication

Scans the vein on the finger as the biometric data, which cannot be forged and is easy to implement*⁴.

*⁴ Optional Biometric Authentication Unit AU-102 and Working Table WT-506 are required.

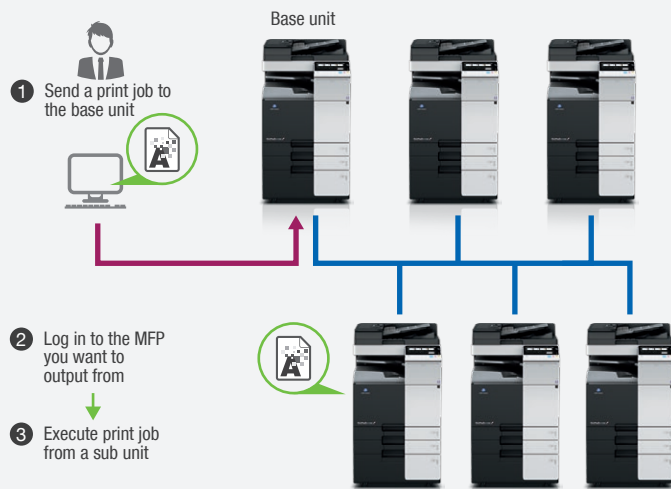
> Server-less Pull Printing

With server-less pull printing, print jobs sent by user can be printed from any MFP in the same network.

* A pull printing system supports up to a maximum of 10 MFPs. It is necessary that all corresponding MFPs be in the same network.

* Options required

- Based Unit : i-Option LK-114 and Upgrade Kit UK-211
- Client Unit (Web Browser OFF) : i-Option LK-114 and Upgrade Kit UK-211
- Client Unit (Web Browser ON) : i-Option LK-114



> HDD Mirroring

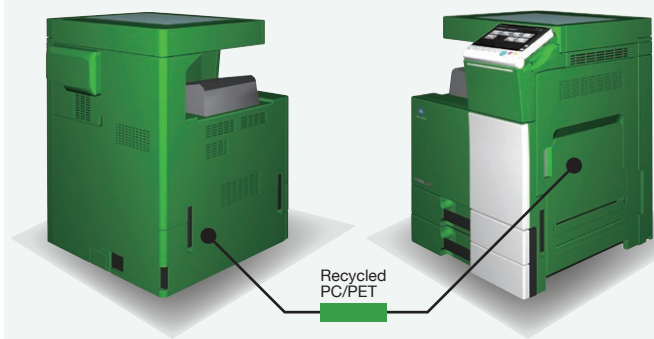
Supports "Mirroring" which synchronises the main HDD data and backup HDD data in real time. In the event of main HDD failure, operation automatically switches to the backup HDD which will drastically reduce the risk of data loss.

* Optional HDD Mirroring Kit HD-524 is required.

> Trusted Platform Module (TPM)

TPM (Trusted Platform Module) is a security chip which encrypts and decrypts confidential data. The information is encrypted and store in dedicated storage area in the chip to avoid unauthorised reading.

* Optional i-Option LK-115 v2 is required.



Usage of the recycled materials

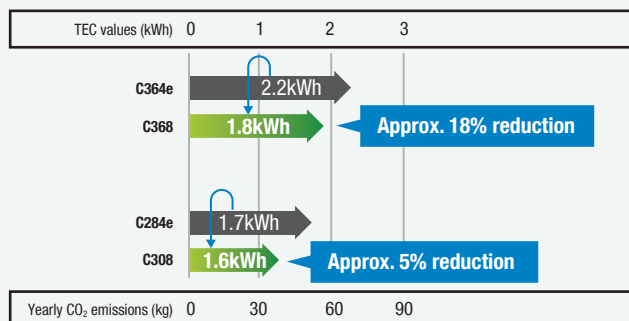
Konica Minolta has made further advances on its unique chemical processing technology. It has also increased its use of recycled PC/PET and has raised the PCR ratio*1 to approximately 70%. This recycled material accounts for more than 25% of the weight ratio of the total resin volume in the main unit. The ratio of recycled materials in the surface area of the machine has increased to approximately 78%.

*1 PCR (post-consumer recycling): the ratio of municipally recycled materials used in the recycled materials.

Top class power consumption and TEC value in its class

The MFP's CPU power is set to turn off during sleep mode. This results in a top class 0.5 W power consumption ratio (during sleep mode). The TEC value has also been reduced approximately by 5-18%. More CO₂ emissions from MFP can be reduced.

Comparison of TEC values (in Europe and other regions) of previous models (bizhub C364e/C284e) and the bizhub C368 series.



- Values for 220-230 V
- TEC values applied to the International Energy Star Program Version 2.0

Yearly CO₂ emissions:
 TEC value x 52 weeks x emission factor
 (From the November, 2011 press release by Japan's Ministry of the Environment.)

bizhub C368/C308/C258

Colour / B&W:

36 / 30 / 25 ppm

MAX Paper Capacity:

6,650 sheets

Scanning speed:

80 opm*

* When using the Reverse Automatic Document Feeder DF-629 (optional)

Print Resolution:

1200x1200 dpi



Key Features:

Print Speed A4: 36 / 30 / 25 ppm in colour and black & white

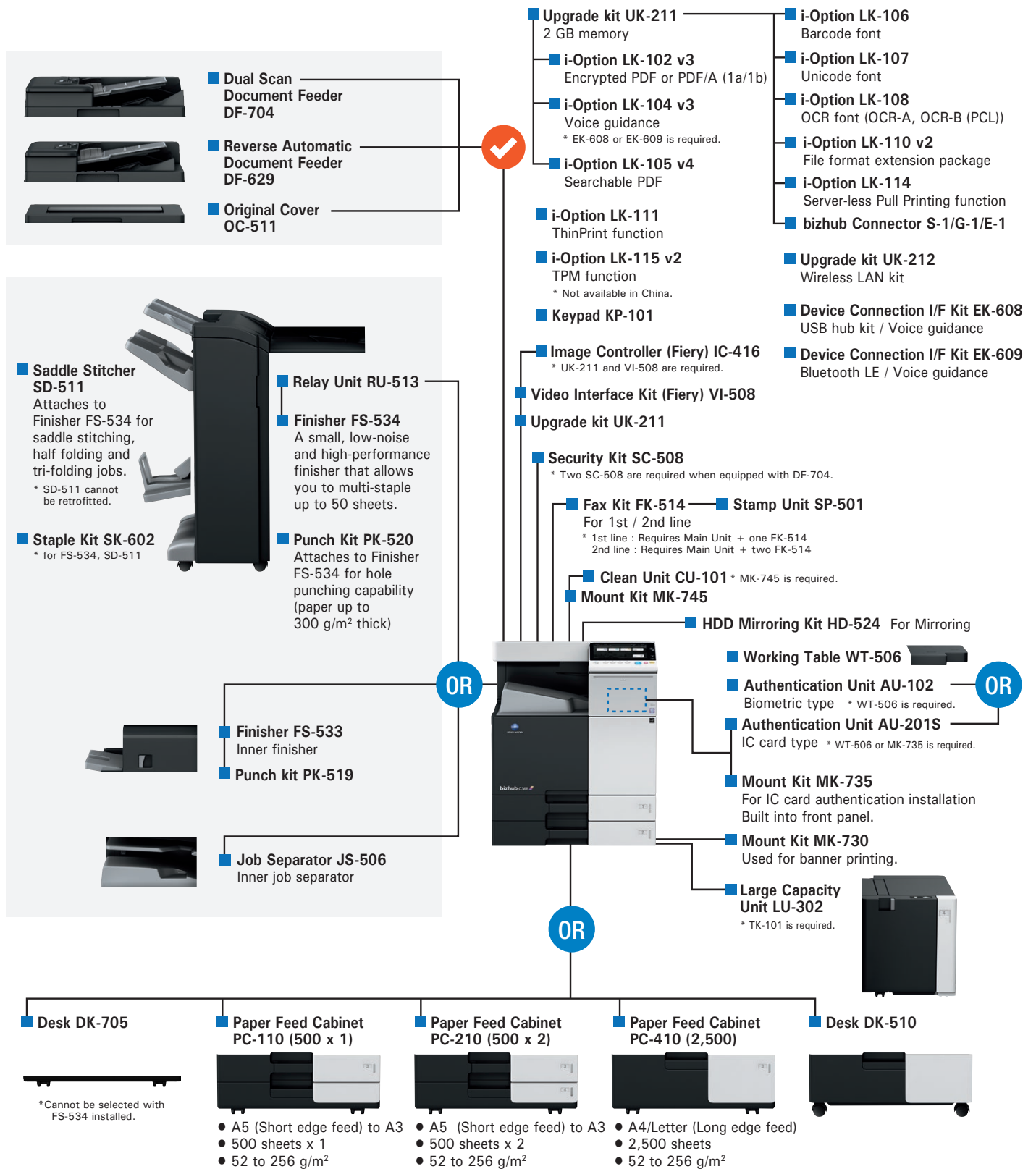
Paper formats: A6-SRA3, custom size and banner up to 1.2 metres length

9-inch colour touch panel with multi-touch support

Modular finishing and paper tray options for customised configurations



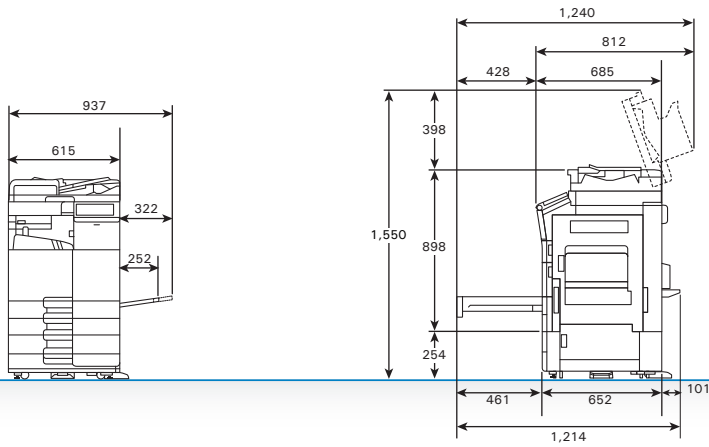
*1 Optional



Note: Some options are not listed.

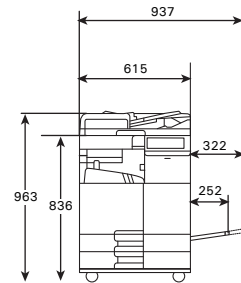
OR One of the options may be selected (not mandatory).

✓ One of the options must be selected (mandatory).

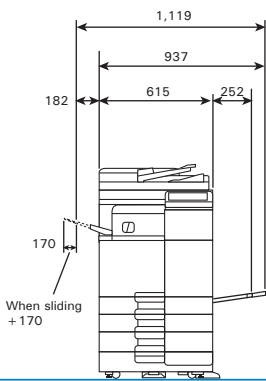


Front View
bizhub C368/C308/C258 + DF-629 +
PC-210 (PC-110/PC-410/DK-510)

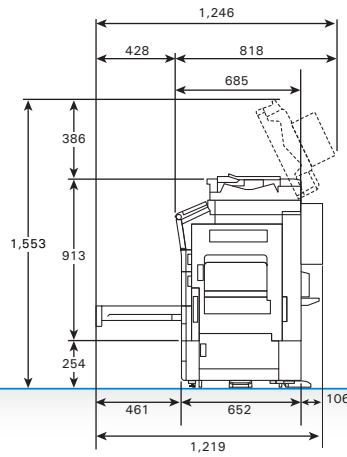
Side View
bizhub C368/C308/C258 + DF-629 +
PC-210 (PC-110/PC-410/DK-510)



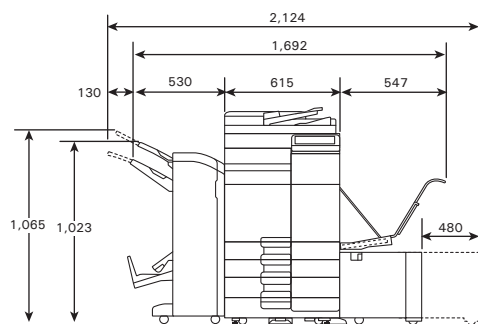
Side View
bizhub C368/C308/C258 +
DK-705 + DF-629



Front View
bizhub C368/C308/C258 + DF-704 +
PC-210 (PC-110/PC-410/DK-510) + FS-533



Side View
bizhub C368/C308/C258 + DF-704 +
PC-210 (PC-110/PC-410/DK-510) + FS-533




Front View
bizhub C368/C308/C258 + DF-629 +
PC-210 (PC-110/PC-410/DK-510) + MK-730 + FS-534 + SD-511 + LU-302

SPECIFICATIONS - bizhub C368 / C308 / C258

bizhub C368 / C308 / C258 General Specifications

		bizhub C368	bizhub C308	bizhub C258
Type		Desktop Full Colour Printer / Copier / Scanner		
Colour Support		Full colour		
Copy Resolution	Scan	Main: 600 dpi x Sub: 600 dpi		
	Print	1,800 dpi (equivalent) x 600 dpi		
Gradation		256		
Memory Capacity (Std./Max.)		2 GB/4 GB		
HDD		250 GB		
Original Type		Sheets, Books, Objects		
Max. Original Size Output Size		A3 (11" x 17") Main unit: SRA3*, A3 to A5, 12-1/4" x 18" (A3 wide (311.1 mm x 457.2 mm)), 11" x 17" to 8-1/2" x 11", 5-1/2" x 8-1/2", 8" x 13", 16K, 8K Bypass Tray: SRA3, A3 to A5, B6*, A6*, 12" x 18" (A3 wide (311.1 mm x 457.2 mm)), 11" x 17" to 5-1/2" x 8-1/2", 8" x 13", 16K, 8K, Postcard (A6 (4" x 6" Card)), Envelope*, Label sheet, Tab paper, Banner paper (Width: 210 mm to 297 mm (8-1/4" to 11-11/16")), Length: 457 mm to 1,200 mm (18" to 47-1/4")* ⁶		
Image Loss		Max. 4.2mm or less for top edge (5 mm for thin paper), Max. 3.0mm or less for bottom edge, Max. 3.0mm or less for right/left edges *A loss of 4.2 mm each during printing.		
Warm-Up Time* ⁷ (23 C, std. voltage)		Colour/B&W: 20 sec. or less		
*The time required to start printing when both the main power and sub-power switches are turned from OFF to ON.				
*The time required to start printing when the main power switch is ON and the sub-power switch is turned from OFF to ON.				
First Copy Out Time* ⁸		Colour	6.9 sec. or less	7.3 sec. or less
		B/W	5.3 sec. or less	6.1 sec. or less
Copy Speed (Colour/B&W, A4)			36 ppm	30 ppm
Copy Magnification		Fixed Same Magnification	1: 0.5% or less	
		Scaling Up	1: 1.154/1.224/1.414/2.000	
		Scaling Down	1: 0.866/0.816/0.707/0.500	
		Preset	3 types	
		Zoom	25 to 400% (in 0.1% increments)	
		Lengthwise Crosswise Individual Settings	25 to 400% (in 0.1% increments)	
Paper Capacity (80 g/m ²)	Tray 1	500 sheets (up to A3)		
	Tray 2	500 sheets (up to SRA3)		
	Multiple Bypass Tray	150 sheets (up to SRA3)		
Max. Paper Capacity (80 g/m ²)* ⁹		6,650 sheets		
Paper Weight	Tray 1 / 2	52 to 256 g/m ²		
	Multiple Bypass Tray	60 to 300 g/m ²		
Multiple Copy		1 to 9,999 sheets		
Auto Duplex	Paper Size	SRA3, A3 to A5, B6*, A6*, 12-1/4" x 18" (A3 wide (311.1 mm x 457.2 mm)), 11" x 17" to 5-1/2" x 8-1/2", 7-1/4" x 10-1/2", 8" x 13", 16K, 8K, Postcard (A6 (4" x 6" Card))		
	Paper Weight	52 to 256 g/m ²		
Power Requirements		AC220 to 240 V 8.0 A (50/60 Hz)		
Max. Power Consumption		1.5 kW or less		
Dimensions [W] x [D] x [H]		615 x 685 x 779 mm (24-3/16" x 27-15/16" x 30-11/16")		
Weight		Approx. 85 kg (187-3/8 lb)		
Space Requirements [W] x [D]* ¹⁰		937 x 1,214 mm (36-7/8" x 47-13/16")		

- *1 SRA3 paper can be used in Tray2.
- *2 There are four types of foolscap: 8-1/2" x 13-1/2", 8-1/2" x 13", 8-1/4" x 13", and 8" x 13". Any one of these sizes is selectable. For details, contact your service representative.
- *3 Short edge feed 
- *4 There are six types of foolscap: 8-1/2" x 13-1/2", 220 mm x 330 mm, 8-1/2" x 13", 8-1/4" x 13", 8-1/8" x 13-1/4", and 8" x 13". Any one of these sizes is selectable. For details, contact your service representative.
- *5 Wrinkles or printing errors may occur due to the type, storage or environment that exists when envelope printing is carried out.
- *6 Printing on banner paper can only be performed from a PC.
- *7 May vary depending on the operating environment and usage.
- *8 A4 long edge feed full size/using the first tray/scanning from the original glass surface.
- *9 With options installed.
- *10 Without options, with paper trays pulled out, and multiple bypass tray, auxiliary tray and ADF opened.

Printer Specifications

Type	Embedded
CPU	ARM Cortex-A7 Dual-core 1.2GHz
Memory	Shared with the copier
Print Speed	Same as Copy Speed (when using the same original)
HDD	250 GB (Shared with the copier)
Print Resolution	1,800 dpi (equivalent) x 600 dpi (at smoothing) or 1,200 dpi x 1,200 dpi
PDL	PCL 6, PostScript 3 Emulation, XPS
Protocol	TCP/IP, IPX/SPX (NDS support), SMB (NetBEUI), LPD, IPP1.1, SNMP, AppleTalk
Support OS	Windows Vista* ¹ / 7* ¹ / 8* ¹ / 8.1* ¹ Windows Server 2003* ¹ / 2003 R2* ¹ / 2008* ¹ / 2008 R2 / 2012 / 2012 R2 Mac OS X (10.6 / 10.7 / 10.8 / 10.9 / 10.10) Linux
Fonts	PCL: 80 Roman fonts PS: 137 Roman Type1 fonts
Interface	Ethernet (10BASE-T/100BASE-TX/1000BASE-T), USB 1.1, USB 2.0, IEEE 802.11 b/g/n* ²

- *1 Supports the 32-bit (x86) or 64-bit (x64) environment.
- *2 Optional

Scanning Specifications

Type	Full-Colour Scanner
Interface	Ethernet (10BASE-T/100BASE-TX/1000BASE-T), IEEE 802.11 b/g/n* ¹
Driver	TWAIN Driver, HDD TWAIN Driver
Protocol	TCP/IP (FTP, SMB, SMTP, WebDAV) (IPv4/IPv6)
Scanning Speed (Colour/B&W) (300 dpi, A4, simplex)	80 opm* ²
Scanning Size	Max. A3 (11" x 17")
Output Format	TIFF, JPEG, PDF, Compact PDF, XPS, Compact XPS, OOXML (pptx, xlsx*, docx*), Searchable PDF*, PDF/A*, Linearised PDF* ¹
Scanning Resolution	Push: 200 dpi / 300 dpi / 400 dpi / 600 dpi Pull: 100 dpi / 200 dpi / 300 dpi / 400 dpi / 600 dpi
Main Functions	Scan to E-Mail, Scan to FTP, Scan to BOX (HDD), Scan to PC (SMB), Network TWAIN, Scan to WebDAV, Scan to USB, Scan to Scan Server, Scan to Web Service (WSD-Scan), Device Profile for Web Services (DPWS)
Other Functions	Multi-Method Send, Authentication at the time of E-Mail send (SMTP authentication, POP before SMTP), S/MIME, Annotation

- *1 Optional
- *2 When using the Automatic Document Feeder.

Internet Fax

Protocol	TX: SMTP, RX: POP3, TCP/IP Simple mode
Connection Mode	Full-Mode
Sending Paper Size	A3, B4, A4
Recording Paper Size	Max. A3
Resolution	B/W: 200 x 100 dpi, 200 x 200 dpi, 400 x 400 dpi, 600 x 600 dpi Colour: 200 x 200 dpi, 400 x 400 dpi, 600 x 600 dpi
Interface	Ethernet (10BASE-T/100BASE-TX/1000BASE-T)
Colour	Support Colour Internet Fax
Format	B/W: TIFF-F Colour: TIFF (Conforms to RFC3949 Profile-C)

Fax Kit FK-514 (Optional)

Communication	Super G3
Compatible Lines	Public Switch Telephone Network, Private Branch Exchange, Fax Communication Line
Line Density	Ultra Fine: 600 dpi 600 dpi Super Fine: 16 dot/mm 15.4 line/mm, 400 dpi 400 dpi Fine: 8 dot/mm 7.7 line/mm, 200 dpi 200 dpi Normal: 8 dot/mm 3.85 line/mm
Modem Speed	2.4 to 33.6 kbps
Compression	MH/MR/MMR/JBIG
Sending Paper Size	Max. A3 (Long Length Support: Max. 1,000 mm)
Recording Paper Size	Max. A3 (Long Length Max. 1,000 mm — following the page division —)
Transmission Speed	Less than 2 sec. (A4, V.34, 33.6 kbps, JBIG)
Memory	Shared with the copier
Number of Abbr. Dials	2,000
Number of Program Dials	400
Number of Group Dials	100
Sequential Multiple Station Transmission	Max. 600

IP Address Fax *Optional Fax Kit FK-514 is required.

Protocol Transmission	TCP/IP, SMTP
Sending Paper Size	A3, B4, A4
Resolution	200 x 200 dpi, 400 x 400 dpi, 600 x 600 dpi
Format	B/W: TIFF-F, TIFF-S Colour: TIFF, PDF

Fiery Image Controller IC-416 (Optional)

* Optional Upgrade Kit UK-211 and Video Interface Kit VI-508 is required.

Type	Embedded
CPU	Intel Pentium G850 2.9GHz
Memory	2 GB
HDD	500 GB
Print Speed	Same as Copy Speed (when using the same original)
Print Resolution	1,800 dpi (equivalent) x 600 dpi (at smoothing) or 1,200 dpi x 1,200 dpi
PDL	Adobe PostScript 3
Protocol	Ethernet (Apple Talk, TCP/IP), HTTP/HTTPS, SSL/TLS for HTTPS, SNMP v3, SMB, Port9100 (Bi-Directional), IPP, LDAP, IPv6
Support OS	Windows Vista* ¹ / 7* ¹ / 8* ¹ / 8.1* ¹ Windows Server 2003* ¹ / 2003 R2* ¹ / 2008* ¹ / 2008 R2 / 2012 / 2012 R2 Mac OS X (10.6 / 10.7 / 10.8 / 10.9 / 10.10)
Fonts	Adobe PS 138 Roman fonts, Agfa PCL 80 Roman fonts and 1 bitmap font, Additional PCL 35 fonts, Euro Currency Resident Font
Interface	Ethernet (10BASE-T/100BASE-TX/1000BASE-T)

*1 Supports the 32-bit (x86) or 64-bit (x64) environment.

Reverse Automatic Document Feeder DF-629 (Optional)

Type	Circulatory duplex system
Support Paper Size	Max. A3 (Fax mode: Max. 1,000 mm)
Mixed Size	Support
Original Set	Centre guide
Support Paper Weight	Plain Paper: 35 to 128 g/m ² (Simplex), 50 to 128 g/m ² (Duplex/Mixed Original) Max. 100 sheets (80 g/m ²)
Paper Capacity	300 dpi simplex 80 opm 600 dpi simplex 55 opm
Productivity (A4)	Simplex: 300 dpi duplex 37 opm 600 dpi duplex 26 opm Duplex: Supplied from the MFP main body
Power Requirements	611 x 504 x 127 mm (24-1/16" x 19-13/16" x 5")
Dimensions [W] x [D] x [H]	Approx. 9 kg (19-13/16 lb)
Weight	



Dual Scan Document Feeder DF-704 (Optional)

Type	Single pass simultaneous duplex system
Support Paper Size	Max. A3 (Fax mode: Max. 1,000 mm)
Mixed Size	Support
Original Set	Centre guide
Support Paper Weight	Thin paper: 35 to 49 g/m ² (Simplex) Plain paper: 50 to 163 g/m ² (Simplex/Duplex), 50 to 128 g/m ² (Mixed Original) Max. 100 sheets (80 g/m ²)
Paper Capacity	300 dpi simplex 80 opm 600 dpi simplex 55 opm
Productivity (A4)	Simplex: 300 dpi duplex 160 opm 600 dpi duplex 110 opm Duplex: Supplied from the MFP main body
Power Requirements	611 x 504 x 142 mm (24-1/16" x 19-13/16" x 5-9/16")
Dimensions [W] x [D] x [H]	Approx. 12 kg (26-7/16 lb)
Weight	



SPECIFICATIONS - bizhub C368 / C308 / C258

Finisher FS-533 (Optional)



Type	Finisher
Support Paper Type	Thin paper/Plain paper (52 to 90 g/m ²), Thick paper (91 to 300 g/m ²), Transparency, Envelope, Label sheet, Letterhead paper, Banner paper, Tab paper
Support Paper Size	SRA3, A3 to A5, B6 ¹ , A6 ¹ , 12-1/4" x 18" (A3 wide (311.1 mm x 457.2 mm)), 11" x 17" to 5-1/2" x 8-1/2", 16K, 8K, Postcard (A6 (4" x 6" Card)), Banner paper
Mode	Sort, Group, Offset Sort, Offset Group, Staple
Stacking Capacity	500 sheets (52 to 90 g/m ² , A4 ¹ or smaller) 250 sheets (52 to 90 g/m ² , B4 or larger) 10 sheets (91 to 300 g/m ² , special paper)
Staple Capacity	50 sheets (52 to 90 g/m ² , A4 ¹ or smaller) 30 sheets (52 to 90 g/m ² , B4 or larger) 2 sheets (91 to 209 g/m ² , as cover pages)
Power Requirements	Supplied from the MFP main body
Max. Power Consumption	40 W or less
Dimensions [W] x [D] x [H]	472.5 x 583.5 x 194.7 mm (18-1/2" x 23" x 7-3/4")
Weight	Approx. 12 kg (26-1/2 lb)

*1 Short edge feed

Punch Kit PK-519 (Optional)



Applicable	Finisher FS-533
Number of holes	2 holes or 4 holes
Support Paper Type (Weight)	Thin paper/Plain paper (52 to 90 g/m ²), Thick paper (91 to 157 g/m ²)
Support Paper Size	A3 to B5, 11" x 17" to 7-1/4" x 10-1/2"
Power Requirements	Supplied from Finisher FS-533
Dimensions [W] x [D] x [H]	110.2 x 483.5 x 203.2 mm (4-1/2" x 19" x 8")
Weight	Approx. 3.2 kg (7 lb)

Job Separator JS-506 (Optional)



Support Paper Type (Weight)	Tray 1	Thin paper/Plain paper (52 to 90 g/m ²), Thick paper (91 to 300 g/m ²), Transparency, Envelope, Label sheet
	Tray 2	Thin paper/Plain paper (52 to 90 g/m ²), Thick paper (91 to 300 g/m ²), Transparency, Envelope, Label sheet, Banner paper
Support Paper Size	SRA3, A3 to A5, B6 ¹ , A6 ¹ , 12-1/4" x 18" (A3 wide (311.1 mm x 457.2 mm)), 11" x 17" to 5-1/2" x 8-1/2", 16K, 8K, Postcard (A6 (4" x 6" Card)), Banner paper	
Stacking Capacity	Tray 1	100 sheets (52 to 90 g/m ²)
	Tray 2	150 sheets (52 to 90 g/m ²)
Power Requirements	Supplied from MFP main body	
Max. Power Consumption	24 W or less	
Dimensions [W] x [D] x [H]	451 x 469 x 227mm (17-3/4" x 18-1/2" x 9")	
Weight	Approx. 1.5 kg (3-1/4 lb)	

*1 Short edge feed

Finisher FS-534 (Optional)



Type	Finisher	
Support Paper Type	Thin paper/Plain paper (52 to 90 g/m ²), Thick paper (91 to 300 g/m ²), Transparency, Envelope, Label sheet, Letterhead paper, Banner paper, Tab paper	
Support Paper Size	SRA3, A3 to A5, B6 ¹ , A6 ¹ , 12-1/4" x 18" (A3 wide (311.1 mm x 457.2 mm)), 11" x 17" to 5-1/2" x 8-1/2", 16K, 8K, Postcard (A6 (4" x 6" Card)), Banner paper	
Mode	Sort, Group, Offset Sort, Offset Group, Staple	
Stacking Capacity	Output tray 1 (Sub tray)	200 sheets (52 to 90 g/m ²) 20 sheets (91 to 300 g/m ² , special paper)
	Output tray 2 (Main tray)	3,000 sheets (52 to 90 g/m ² , A4 ¹ or smaller, B5 or larger) *2,000 sheets when SD-511 is installed 1,500 sheets (52 to 90 g/m ² , B4 or larger) 500 sheets (52 to 90 g/m ² , A5 or smaller) 20 sheets (91 to 300 g/m ² , special paper)
	Output tray 3 (Relay Unit top surface)	100 sheets (52 to 90 g/m ²) 20 sheets (91 to 300 g/m ² , special paper)
Staple Capacity	50 sheets (Plain Paper 52 to 90 g/m ²) 48 sheets (Plain paper 52 to 90 g/m ²) + 2 sheets (Thick paper 91 to 209 g/m ²) 30 sheets (Thick paper 91 to 120 g/m ²) 15 sheets (Thick paper 121 to 209 g/m ²)	
Power Requirements	Supplied from the MFP main body	
Max. Power Consumption	56 W or less	
Dimensions [W] x [D] x [H]	528 x 641 x 1,023 mm (20-3/4" x 25-1/4" x 40-1/4")	
Weight	Approx. 40 kg (88-1/4 lb)	

*1 Short edge feed

Finisher FS-534 with Saddle Sticher SD-511 (Optional)



Applicable	Finisher FS-534
Support Paper Type	Centre Staple: 52 to 90 g/m ² Half-Fold: 52 to 209 g/m ² (more than 91 g/m ² Thick paper can be used only as a cover page) Tri-Fold: 52 to 90 g/m ²
Support Paper Size	Centre Staple, Half-Fold: A3, B4, A4 ¹ , 12-1/4" x 18" (A3 wide (311.1 mm x 457.2 mm)), 12" x 18", 11" x 17", 8-1/2" x 14", 8-1/2" x 11" ¹ , 8K Tri-Fold: A4 ¹ , 8-1/2" x 11" ¹ , 16K ¹
Maximum Number of Sheets that can be Centrestapled	20 (52 to 90 g/m ²) sheets, or 19 (90 g/m ²) sheets + Thick (209 g/m ²) 1 sheet
Maximum Number of Folded Sheets	Half-Fold: 5 sheets or Thick (91 to 209 g/m ²) 1 sheet, Tri-Fold: 3 sheets
Stacking Capacity	1 to 3 sheets: 20 sets, 4 to 10 sheets: 10 sets 11 to 20 sheets: 5 sets Tri-Fold (1 sheet): 30 sets, Tri-Fold (2-3 sheets): 10 sets
Power Requirements	Supplied from Finisher FS-534
Dimensions [W] x [D] x [H]	210 x 556 x 547mm (8-1/2" x 21-3/4" x 21-1/2")
Weight	Approx. 24 kg (53 lb)

*1 Short edge feed

Punch Kit PK-520 (Optional)



Applicable	Finisher FS-534
Number of holes	2 holes or 4 holes
Support Paper Type (Weight)	Thin paper/Plain paper (52 to 90 g/m ²), Thick paper (91 to 300 g/m ²)
Support Paper Size	A3 to B5, 11" x 17" to 7-1/4" x 10-1/2", 16K, 8K
Power Requirements	Supplied from Finisher FS-534
Dimensions [W] x [D] x [H]	61 x 492 x 142 mm (2-1/2" x 19-1/2" x 5-1/2")
Weight	Approx. 1.8 kg (4 lb)

Paper Feed Cabinet PC-110 (Optional)



Support Paper Type (Weight)	Thin paper/Plain paper (52 to 90 g/m ²) Thick paper (91 to 256 g/m ²)
Support Paper Size	A3 to A5 ¹ , 11" x 17" to 5-1/2" x 8-1/2", 8" x 13", 16K, 8K
Paper Capacity	Top tray (Tray 3) Plain paper: 500 sheets, Thick paper: 150 sheets
Power Requirements	Supplied from the MFP main body
Dimensions [W] x [D] x [H]	615 x 652 x 246 mm (24-1/4" x 25-3/4" x 9-3/4")
Unit Configuration	Paper tray, 1 level
Weight	Approx. 22 kg (48-1/2 lb)

*1 Short edge feed

Paper Feed Cabinet PC-210 (Optional)



Support Paper Type (Weight)	Thin paper/Plain paper (52 to 90 g/m ²) Thick paper (91 to 256 g/m ²)
Support Paper Size	A3 to A5 ¹ , 11" x 17" to 5-1/2" x 8-1/2", 8" x 13", 16K, 8K
Paper Capacity	Top tray (Tray 3) Plain paper: 500 sheets, Thick paper: 150 sheets
Bottom tray (Tray 4)	Plain paper: 500 sheets, Thick paper: 150 sheets
Power Requirements	Supplied from the MFP main body
Dimensions [W] x [D] x [H]	615 x 652 x 246 mm (24-1/4" x 25-3/4" x 9-3/4")
Unit Configuration	Paper tray, 2 levels
Weight	Approx. 24 kg (53 lb)

*1 Short edge feed

Paper Feed Cabinet PC-410 (Optional)



Support Paper Type (Weight)	Thin paper/Plain paper (52 to 90 g/m ²) Thick paper (91 to 256 g/m ²)
Support Paper Size	A4 ¹ , 8-1/2" x 11" ¹ *
Paper Capacity	Thin paper, Plain paper: 2,500 sheets, Thick paper: 1,000 sheets
Power Requirements	Supplied from the MFP main body
Dimensions [W] x [D] x [H]	615 x 652 x 246 mm (24-1/4" x 25-3/4" x 9-3/4")
Unit Configuration	Paper tray, 2 levels
Weight	Approx. 23 kg (50-3/4 lb)

*1 Long edge feed

Large Capacity Unit LU-302 (Optional)



Support Paper Type (Weight)	Thin paper/Plain paper (52 to 90 g/m ²) Thick paper (91 to 256 g/m ²)
Support Paper Size	A4 ¹ , 8-1/2" x 11" ¹ *
Paper Capacity	Thin paper, Plain paper: 3,000 sheets, Thick paper: 1,300 sheets
Power Requirements	Supplied from the MFP main body
Dimensions [W] x [D] x [H]	367 x 528 x 405 mm (14-1/2" x 20-3/4" x 16")
Weight	Approx. 18 kg (39-3/4 lb)

*1 Long edge feed

Authentication Unit (IC Card type) AU-201S (Optional)

Applicable Card	FeliCa (IDm), SSFC, FCF, FCF (campus), FeliCa Private, TypeA MIFARE (UID), NFC (Host Card Emulation)
Interface	USB 2.0
Power Supply	Power received from USB port
Dimensions [W] x [D] x [H]	98 x 64 x 13 mm (3-7/8" x 2-1/2" x 1/2") (not including projections)
Weight	Approx. 100 g (1/4 lb)

Authentication Unit (Biometric type) AU-102 (Optional)

Biometric Sensor System	Transmission-type optical system
Interface	USB 2.0
Verification Time	Approx. 1 sec. or less
Max. Power Consumption	DC 5 V 500 mA
Dimensions [W] x [D] x [H]	59 x 82 x 74 mm (2-1/4" x 3-1/4" x 3")
Weight	Approx. 96 g (1/4 lb) (excluding USB cable)



FOR THE EARTH. FOR THE FUTURE.

Regional Headquarters

Konica Minolta Business Solutions Asia Pte Ltd.

30 Pasir Panjang Road, #06-32
Mapletree Business City
Singapore 117440
Tel: +65 6361 2800
Fax: +65 6361 2888
Email: enquiry@konicaminolta.sg
www.konicaminolta.asia/business

Presence in the region

Bangladesh . Bhutan . Brunei . Cambodia . Indonesia . Laos . Malaysia . Mauritius . Myanmar . Philippines . Singapore . Sri Lanka . Thailand . Vietnam

About Konica Minolta Business Solutions Asia

Konica Minolta Business Solutions Asia is a leader in print and enterprise content management focusing on optimisation, productivity and information sharing via its broad range of office and production printing solutions and services. Backed by strong service standards and proficient support staff, Konica Minolta has won numerous awards and recognition, including placement in the Leaders Quadrant on the Gartner 2014 Magic Quadrant for Managed Print Services (MPS) and Managed Content Services (MCS). Konica Minolta, Inc. has also been named to the Dow Jones Sustainability World Index for four years in a row. For more information, please visit: <http://www.konicaminolta.sg/business/>.



Cert No:
12 310 50050 TMS
ISO/IEC 27001:2013



Cert No: 2015-2-2299
ISO 9001:2008
Cert No: 2015-06-38
ISO 14001:2004



Printed on **bizhub PRESS C1060**